

# Engineering Drawing and Design

## ME 1110 - Engineering Practice 1

---

### Lecture 8

## AutoCAD

### History, Basic concepts, Edit&View

Prof Ahmed Kovacevic

School of Engineering and Mathematical Sciences  
Room CG08, Phone: 8780, E-Mail: [Design@city.ac.uk](mailto:Design@city.ac.uk)

[www.city-design.tk](http://www.city-design.tk)

[www.staff.city.ac.uk/~ra600/intro.htm](http://www.staff.city.ac.uk/~ra600/intro.htm)

# Exercise DrE-5

---

## **Required:** Manufacturing drawing

- Students worked in groups to measure given part
- Each student has to submit its own hand made MANUFACTURING DRAWING by Friday week 8
  - completely describes given part with as many orthographic projections and/or cross sections as necessary
  - Has all required dimensions, tolerances and surface finishes
- That drawing will later in weeks 9-11 be redrawn using AutoCAD, then printed and submitted as exercise CAD-1

# Plan

---

- CAD systems and AutoCAD in general
- Philosophy of AutoCAD
- Model & Layout space, UCS
- Layer Technique
- Graphical & Textual window
- Options
- Drawing & Editing Commands

# History of CAD - Computer Aided Design

- 25 years ago, nearly every drawing produced in the world was done with pencil or ink on paper. CAD has fundamentally changed the way design is done.
- First Drafting systems started in **1957** by General Motors and **1960** by McDonnell Douglas Automation Company
- Autodesk started their first CAD system – AutoCAD in **1982**.

<b>AutoCAD Version</b>	<b>(Beta Name)</b>	<b>Release Data</b>	
<b>Release 2005</b>	<b>(Neo "N")</b>	<b>March</b>	<b>2004</b>
<b>Release 2004</b>	<b>(Red Deer "V")</b>	<b>March</b>	<b>2003</b>
<b>Release 2002</b>	<b>(Kirkland "K")</b>	<b>June</b>	<b>2001</b>
<b>Release 2000i</b>	<b>(Banff "U")</b>	<b>July</b>	<b>2000</b>
<b>Release 2000</b>	<b>(Tahoe "T")</b>	<b>April</b>	<b>1999</b>
<b>Release 14</b>	<b>(Sedona "S")</b>	<b>April</b>	<b>1998</b>
<b>Release 13</b>		<b>November</b>	<b>1994</b>
<b>Release 12</b>		<b>June</b>	<b>1992</b>
<b>Release 11</b>		<b>October</b>	<b>1990</b>
<b>Release 10</b>		<b>October</b>	<b>1988</b>
<b>Release 9</b>		<b>September</b>	<b>1987</b>
<b>Version 2.6</b>	<b>(Release 8)</b>	<b>April</b>	<b>1987</b>
<b>Version 2.5</b>	<b>(Release 7)</b>	<b>June</b>	<b>1986</b>
<b>Version 2.1</b>	<b>(Release 6)</b>	<b>May</b>	<b>1985</b>
<b>Version 2.0</b>	<b>(Release 5)</b>	<b>October</b>	<b>1984</b>
<b>Version 1.4</b>	<b>(Release 4)</b>	<b>October</b>	<b>1983</b>
<b>Version 1.3</b>	<b>(Release 3)</b>	<b>August</b>	<b>1983</b>
<b>Version 1.2</b>	<b>(Release 2)</b>	<b>April</b>	<b>1983</b>
<b>Version 1.0</b>	<b>(Release 1)</b>	<b>December</b>	<b>1982</b>

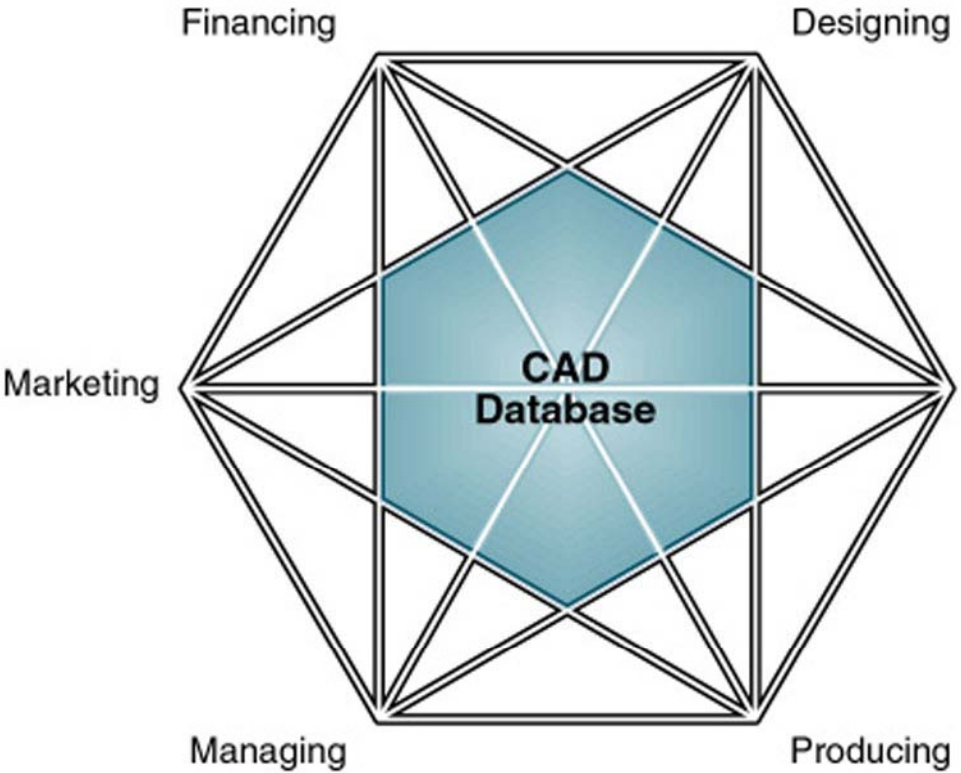
# CAD systems in general (1)

---

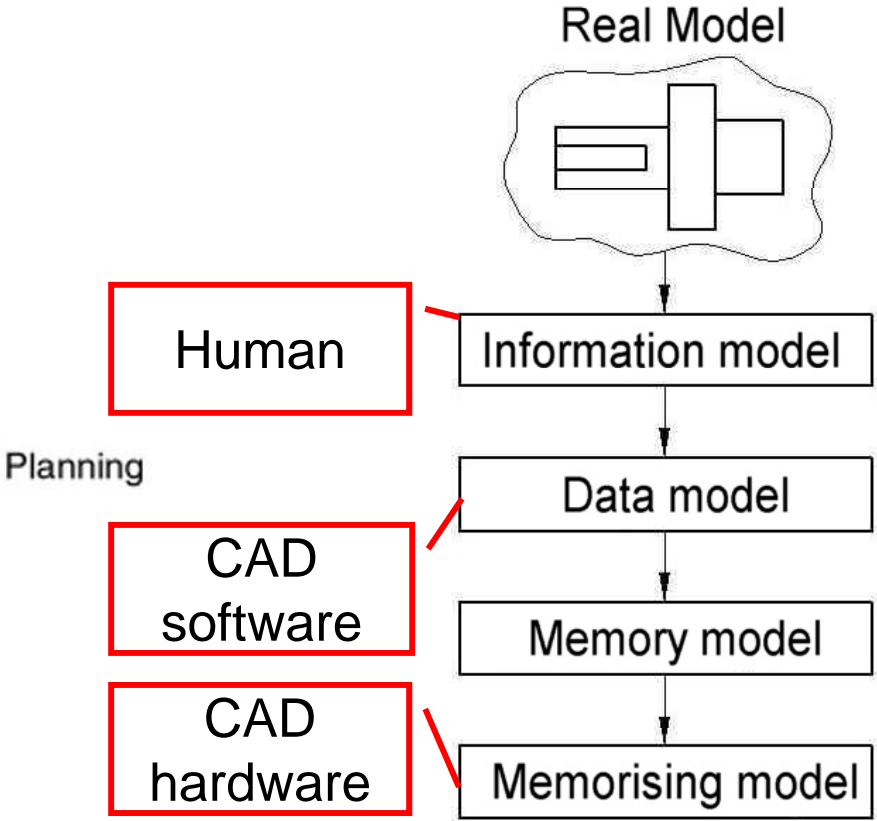
- Consists of:
  - » CAD User - Human
  - » CAD Hardware
  - » CAD Software
- Human: *knowledge*
- CAD Hardware use of Digital Computer:
  - » CPU
  - » Memory: *internal & external*
  - » Storage: *mostly external*
  - » Input devices
    - Keyboard, Mouse, Optical pen, Tablet, Scanner, Modem, Digitiser
  - » Output devices
    - Computer screen (graphical&textual), Printer, Plotter, Modem

# CAD systems in general (2)

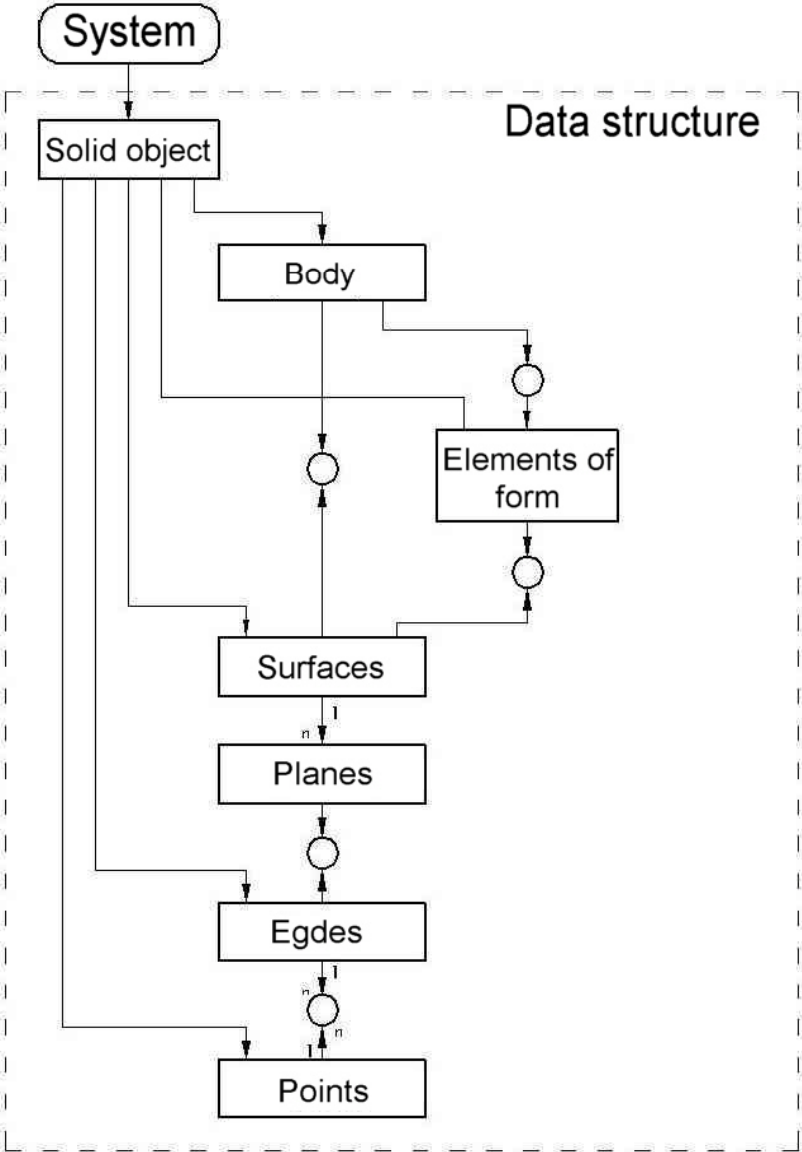
- CAD Software:
  - » System Software
  - » Application Software



**ICR**  
(Internal Computer Representation)



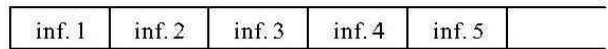
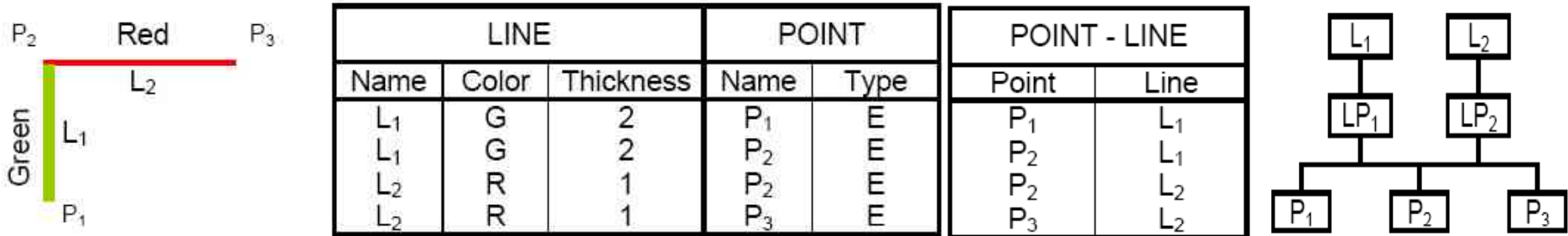
# CAD systems in general (3)



## 1. Information model:

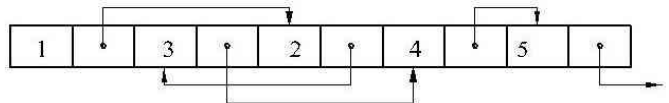
- » Real world →
  - set of primitives
  - 2D
  - 2½ D
  - 3D Wireframe
  - 3D Surface
  - 3D Solid

# CAD systems in general (4)



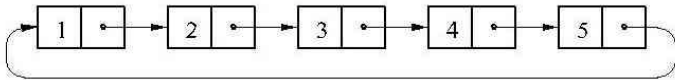
Linear (Sequential) list

2. **Data model:**  
Representation of primitives (Formal & Relational)

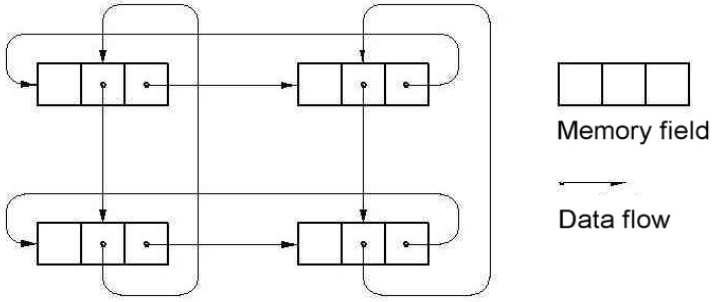


Chain list

3. **Memory model:**  
Data representation and organisation



Circular list



Circular Structure

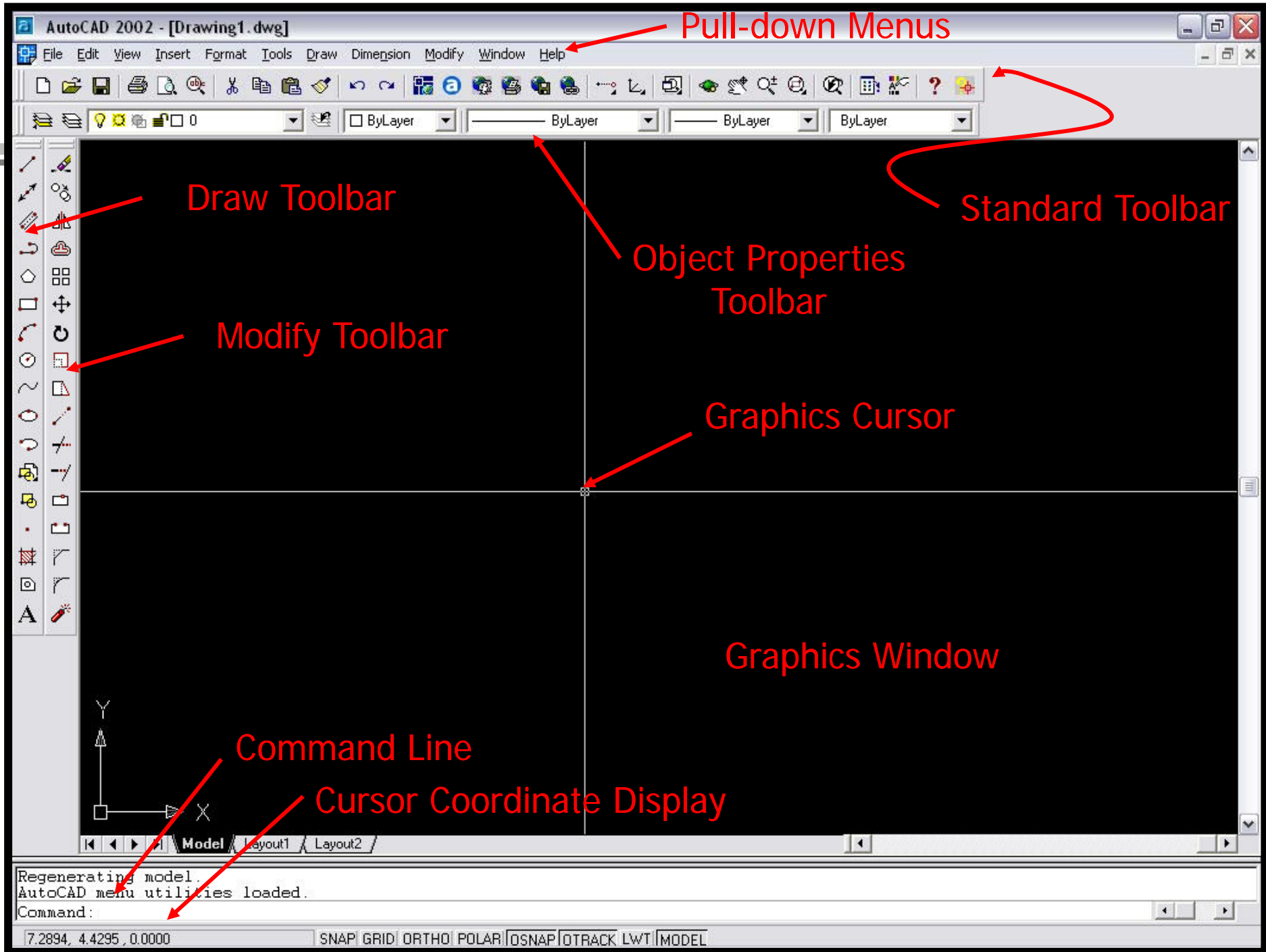
4. **Memorising model:**  
Physical data storage



# Philosophy of AutoCAD

---

- In early days AutoCAD was used as a **drafting tool**
- Through the years and many releases it become a **design tool**
- **'Icon' based** environment - icons grouped in toolbars
- AutoCAD screen contains two parts:  
**graphical** screen and **textual** (command) line
- AutoCAD saves files in **.DWG** format but can import and export different formats (DXF, IGES)
- Model (2D) is made in a **'MODEL SPACE'** drawings are generated in **'DRAWING SPACE'**



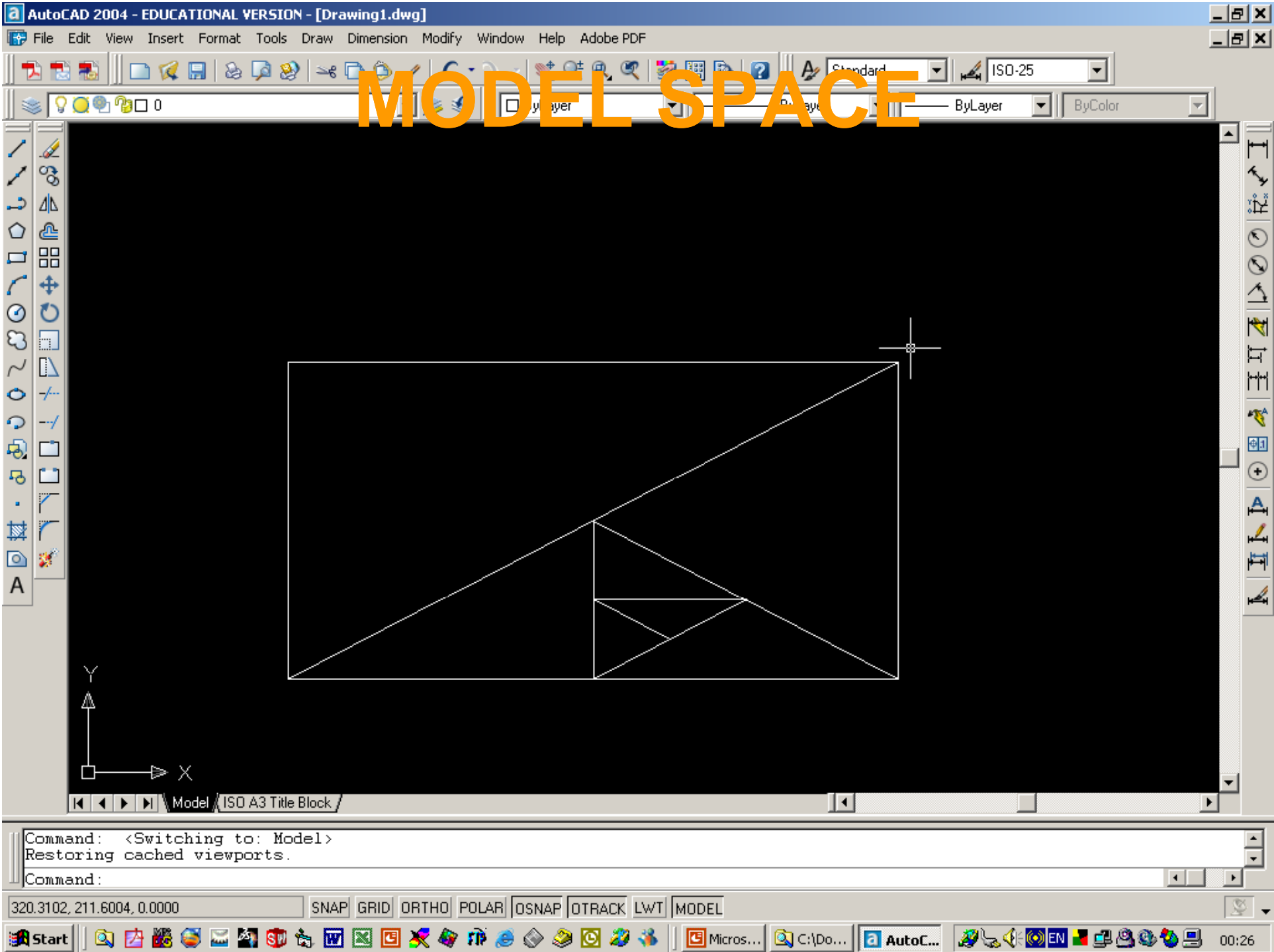
# Model space

---

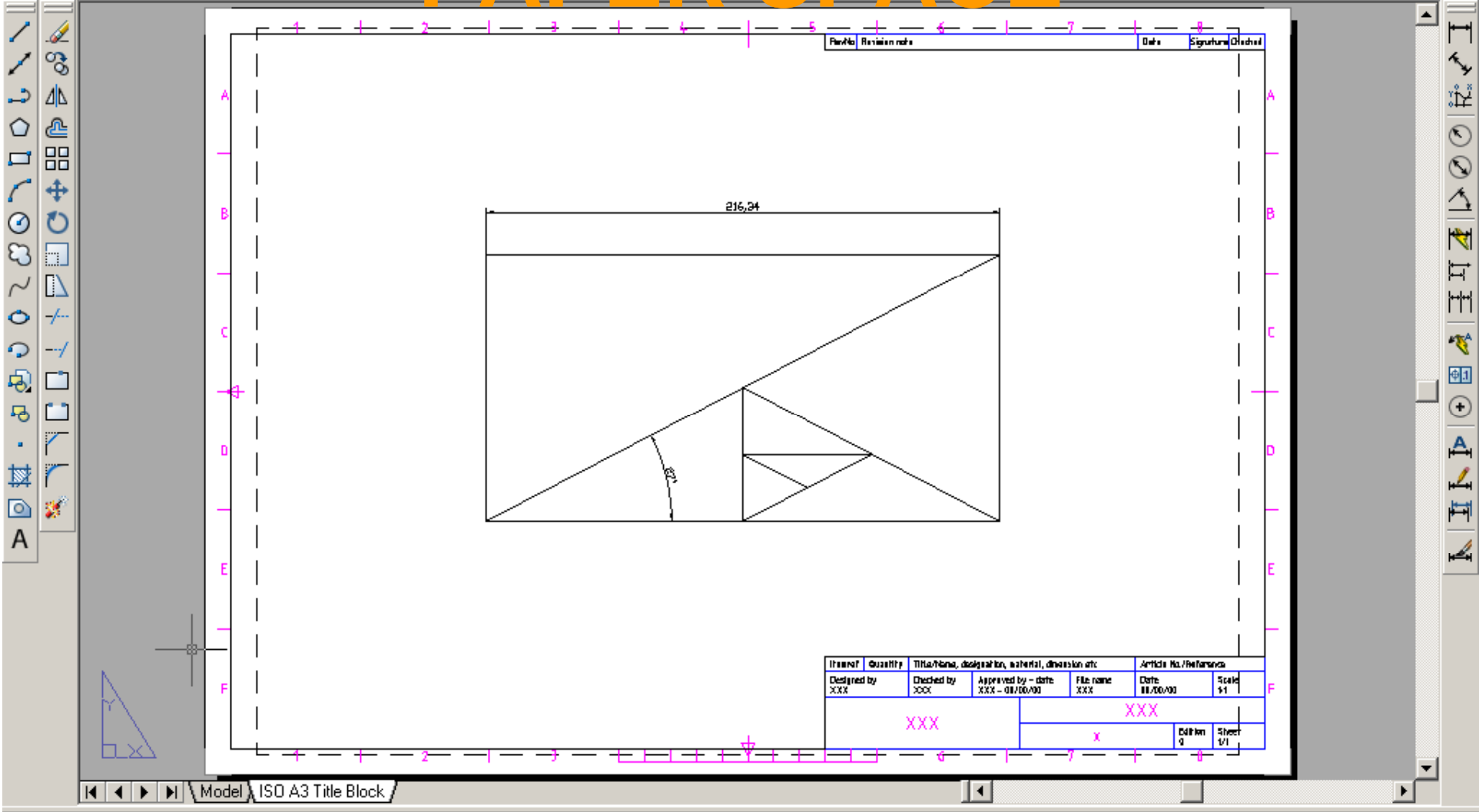
- There are two main domains within an Autocad, **MODEL** space and **PAPER** space.
- MODEL space
  - » All drawing or 'modelling' is done in here
  - » It is the main 'modelling' area in Autocad
- PAPER space
  - » It is an area used to plot (print) the drawing created in the model space
  - » It is actually a blank sheet in which a real object drawn in model space can be represented as a printable drawing in a proper scale.

## NOTE:

**Model space - 1:1; Paper space – any standard scale**



# PAPER SPACE

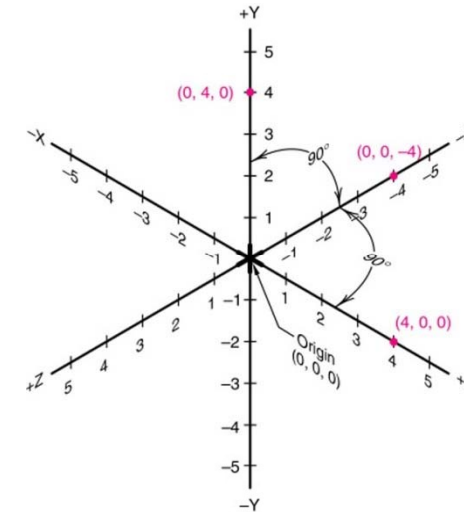


Command: <Switching to: ISO A3 Title Block>  
 Restoring cached viewports - Regenerating layout.  
 Command:

# Coordinate Systems

## World Coordinate System (WCS):

- Used to define global position of *all objects as well as the other coordinate systems*

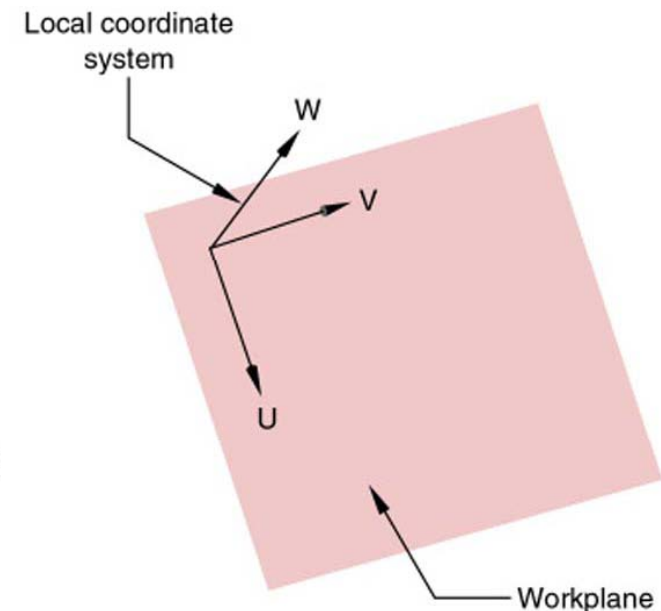
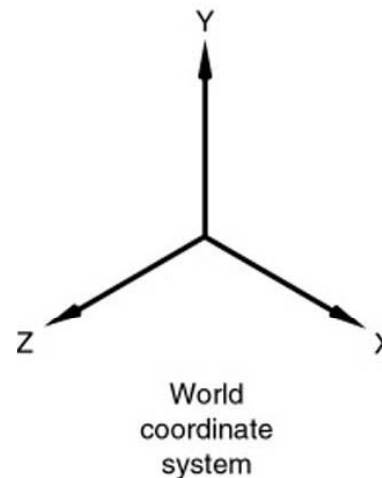


## User Coordinate System (UCS)

- Used to define the orientation of X, Y, and Z axes in 3D space.

*The UCS determines the default placement of a geometry in the drawing*


[Run UCS Movie](#)

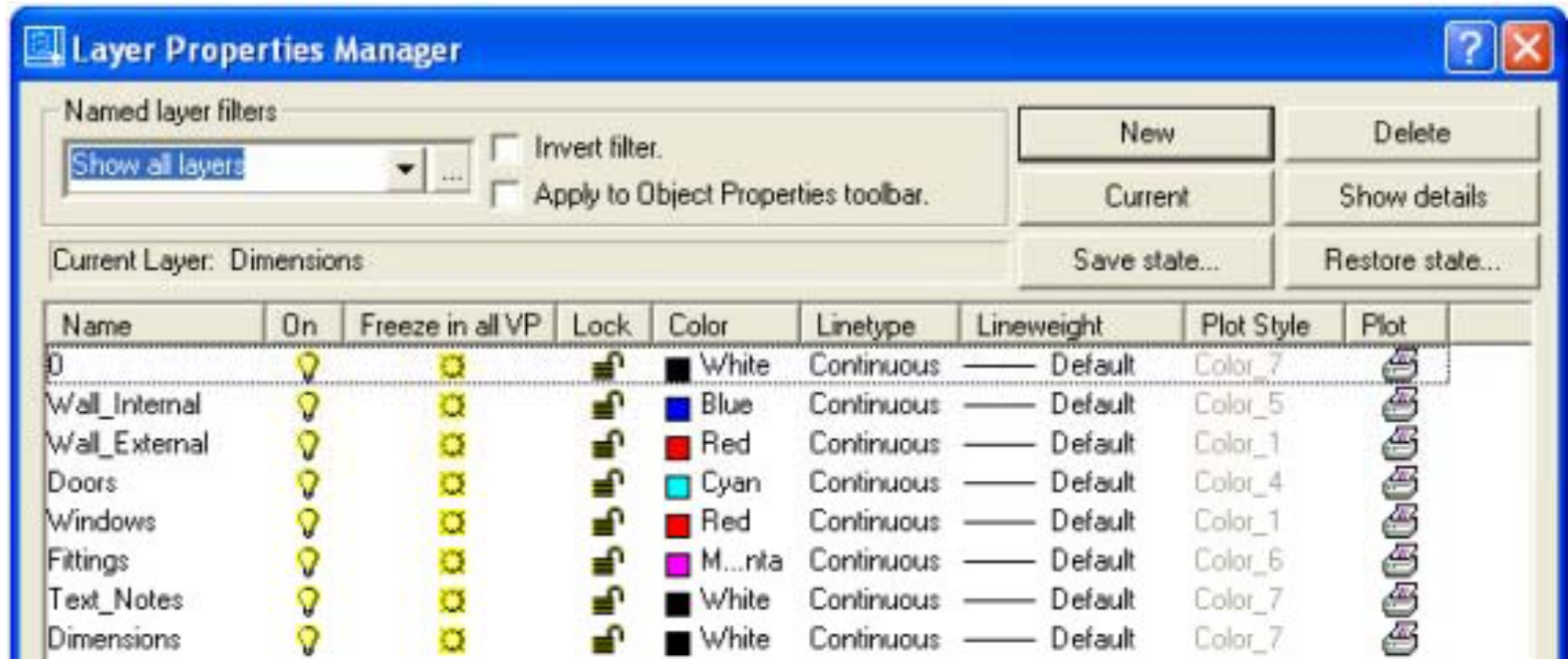
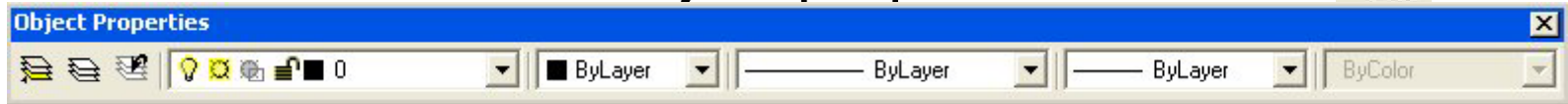


# Layers

Run LPM Movie

Run LAYERS Movie

- A layer can be thought of as a large piece of clear plastic on which a part or whole drawing is made
- Layers are controlled by the **layer properties manager** button located on the object properties toolbar 



# Graphical User Interface (GUI)

---

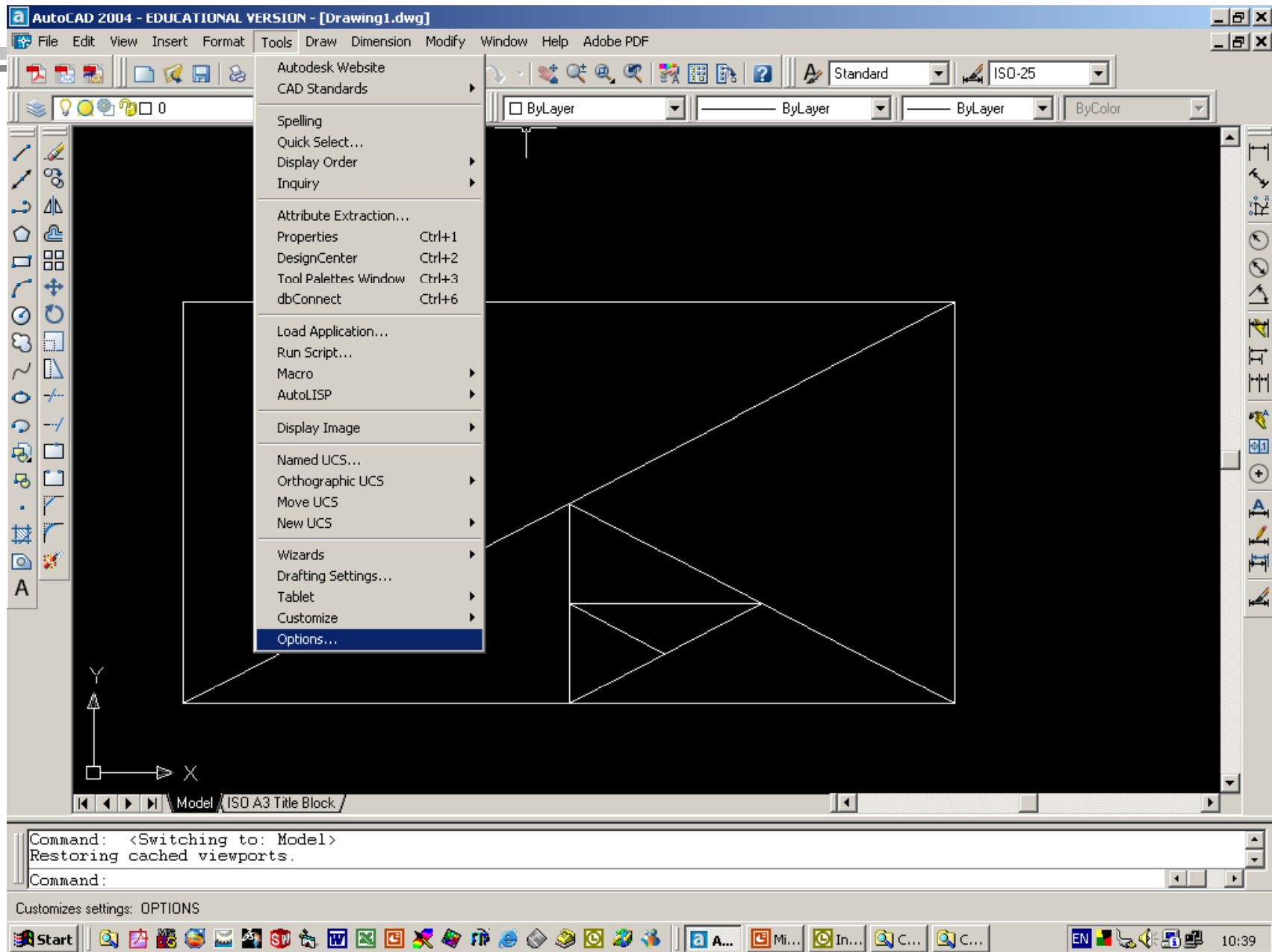
---

*Design web*



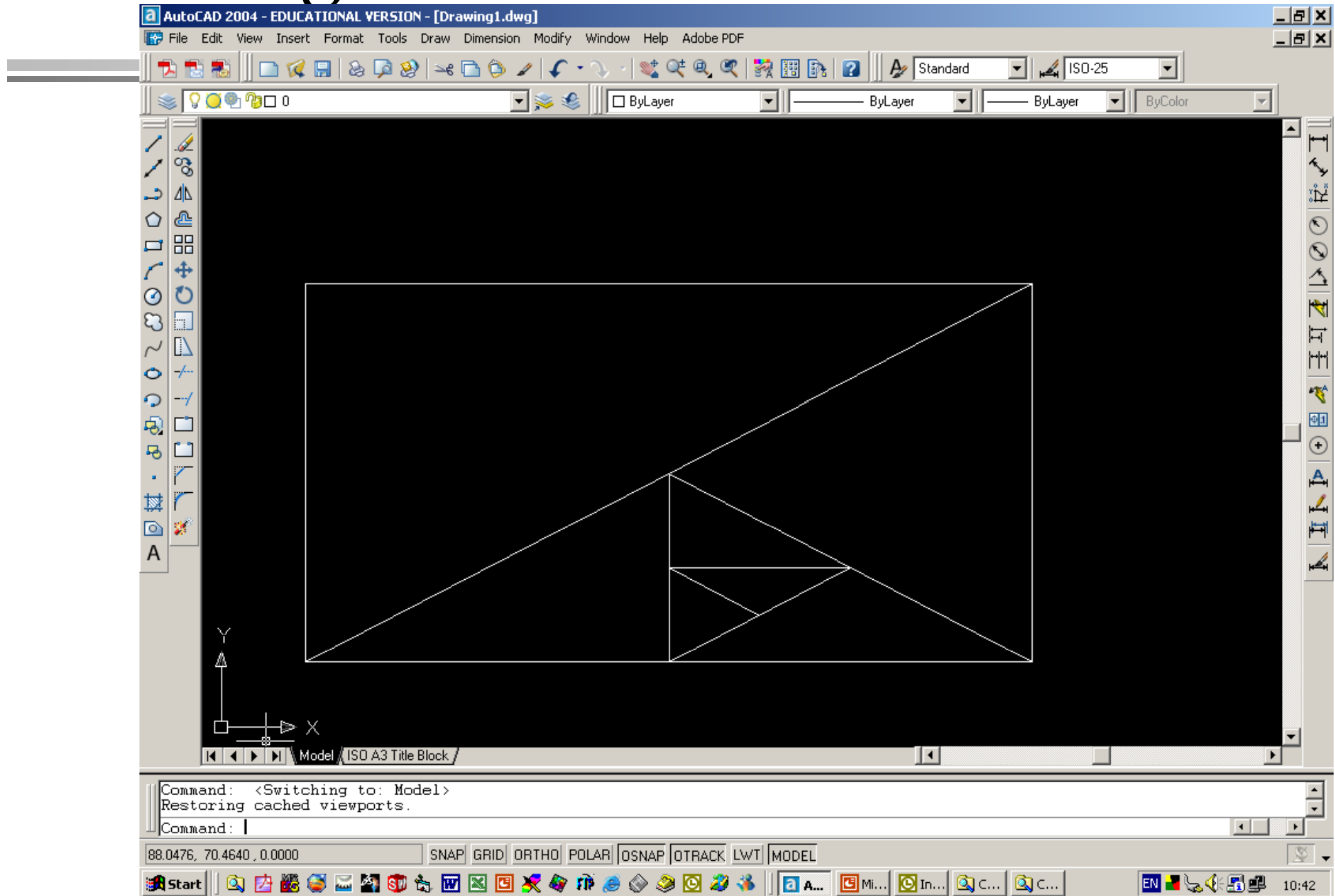
# Using Options

Design web



# Using Command line

Design web



# Drawing & Editing Commands

- Drawing Menu



- Modify (Edit) Menu



Play the Movie

# AutoCAD Tutorials

---

- TUTORIALS for week 9, week 10 and week 11 in SEMS IT laboratory room CM250 A
- Groups A & B:
  - » Fridays 9,00 – 12,00
- Groups C, D & E:
  - » Fridays 14,00-17,00