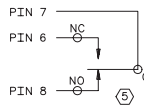
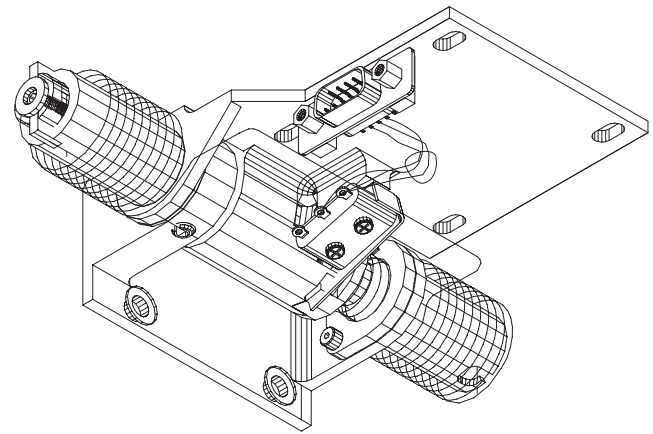
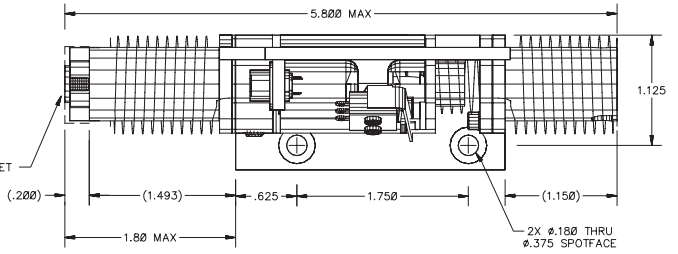
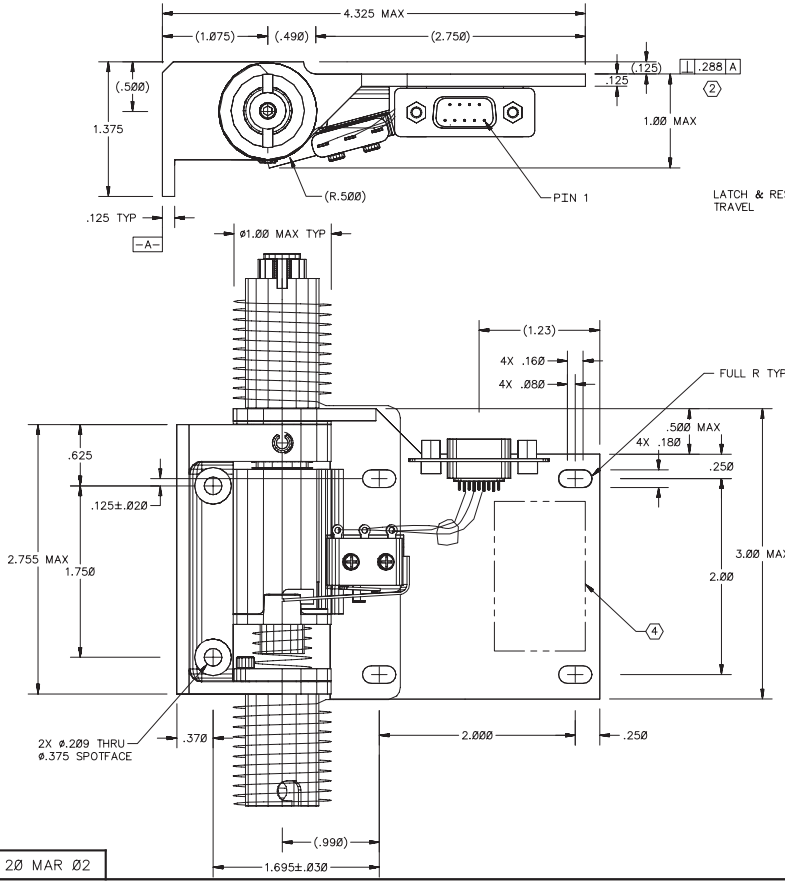


- NOTES:
 1. PERFORMANCE TO BE IN ACCORDANCE WITH SRC SPECIFICATION KT-9011.
 2. THIS CONTROL IS EQUIVALENT TO 90±3° WITH RESPECT TO THE MOUNTING SURFACE -A-A-
 3. MECHANISM SHOWN IN OPEN/LOCKED POSITION.
 4. MARK PER SRC P2204 APPROXIMATELY WHERE SHOWN WITH THE FOLLOWING INFORMATION:
 5. PIN-OUT CONFIGURATION SHOWN FOR OPEN/LOCKED POSITION.

SRC
 KT-2005
 SN# XXX



REVISIONS				
REV	DESCRIPTION	ECO #	DATE	APPROVED
	INITIAL RELEASE			



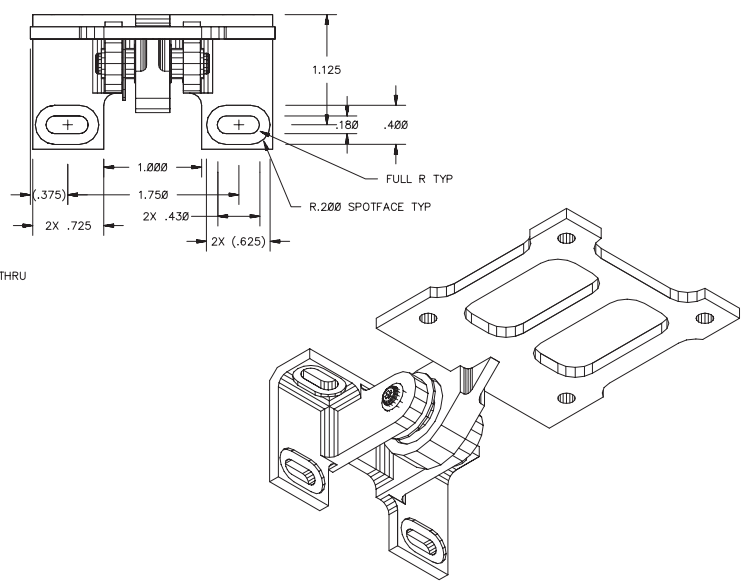
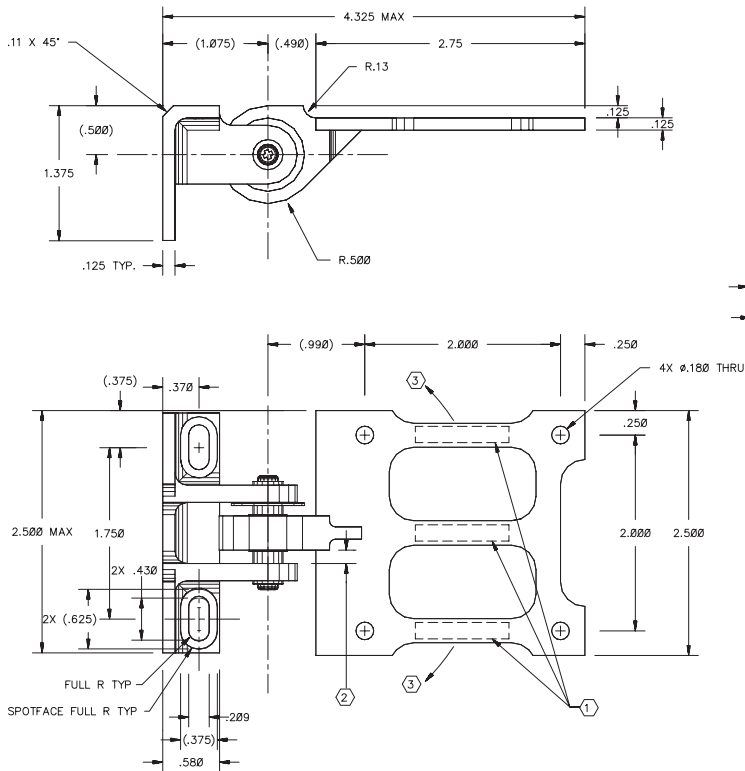
APPROVED	DATE	UNLESS OTHERWISE SPECIFIED	 4809 NAUTELUS CT. N BOLLINGER, CO. 60501 (303) 538-1925 FAX (303) 538-2481
PREP BY	2/4/02	ALL DIMENSIONS ARE IN INCHES	
ENGINEERING		XX .005 XX .010 XXXX .005 XXXX .010	
MANUFACTURING		XX .005 XX .010 XXXX .005 XXXX .010	
QUAL ASSURANCE		FILLET R .035 MAX. R .023 MIN. BREAK SHARP EDGES .005 MAX.	
INTERPRET DRAWING PER ANSI Y14.5M-1982			MATERIAL N/A SCALE N/A DO NOT SCALE THIS DRAWING
			DWG NO. KT-2005 SHEET 1 OF 1

20 MAR 02

- NOTES:
 1. IN AREA INDICATED, MARK WITH THE FOLLOWING INFORMATION:
 S.R.C.
 KT-2006
 SN#XXX
 2. HINGE CAN ACCOMMODATE ±100 AXIAL MISALIGNMENT.
 3. HINGE CAN ACCOMMODATE ±3° MIN ANGULAR MISALIGNMENT.
 4. REFERENCE SRC SPECIFICATION KT-9011.

REVISIONS				
REV	DESCRIPTION	ECO #	DATE	APPROVED
	INITIAL RELEASE			

NOT CONTROLLED COPY:
 Contact Starsys Research for current revision.



APPROVED	DATE	UNLESS OTHERWISE SPECIFIED	 4809 NAUTELUS CT. N BOLLINGER, CO. 60501 (303) 538-1925 FAX (303) 538-2481
PREP BY	2/18/02	ALL DIMENSIONS ARE IN INCHES	
ENGINEERING		XX .005 XX .010 XXXX .005 XXXX .010	
MANUFACTURING		XX .005 XX .010 XXXX .005 XXXX .010	
QUAL ASSURANCE		FILLET R .035 MAX. R .023 MIN. BREAK SHARP EDGES .005 MAX.	
INTERPRET DRAWING PER ANSI Y14.5M-1982			MATERIAL N/A SCALE 1=1 DO NOT SCALE THIS DRAWING
			DWG NO. KT-2006 SHEET 1 OF 1

20 MAR 02