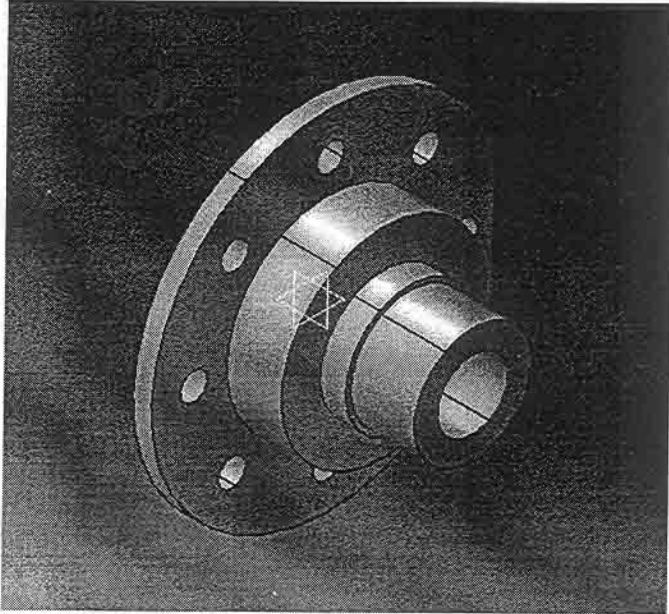


Exercise 1.

Sketching profiles and creating a solid part using **Shaft**

Use the **Part Design** application to create a solid model of the part shown below. The part should be constructed by revolving a sketch of its cross sectional geometry.



Hints:

Create a sketch of the cross section of the bearing. You will need to create an axis entity to represent the axis of revolution to be used when the solid part is created. The bolt holes can be generated as a circular array of hole entities.

You will find the following functions useful:

Sketching

Profile Tool



Axis Tool



Circle Tool



Rotate Tool



Constraint Tool



Part Design

Shaft



Hole Tool

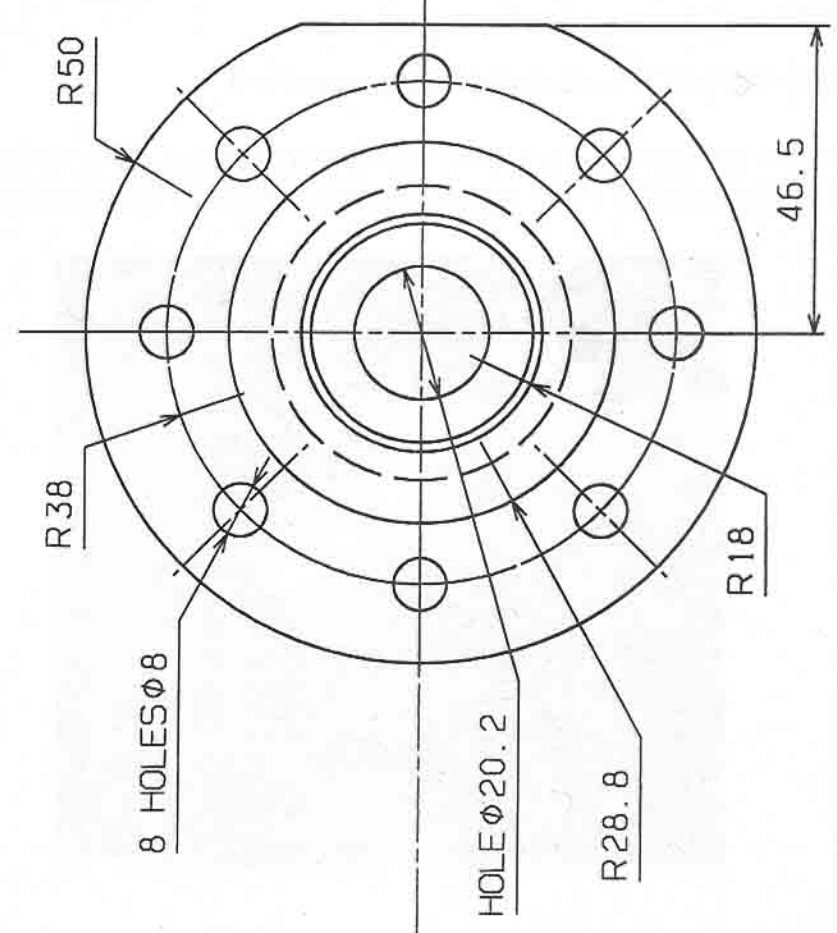
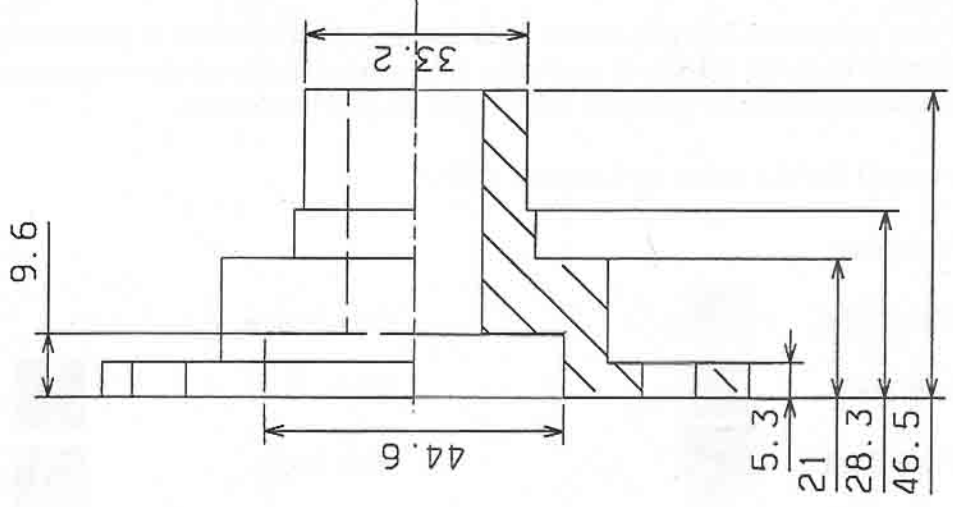


Circular Pattern Tool



1 2 3 4 5 6 7 8

A B C D E X



SHEET SIZE A4	ITEM PART No.	DESCRIPTION	No. OFF	MATERIAL	SPEC.	REMARKS
SCALE 1:1	TITLE :- Bearing Exercise					
FINISH	DRAWING No.					