

Exercise 4.

Modelling a component using CATIA

In this exercise you should use the **Part Design** application to create a 3D solid model of the torque arm component, and then use the **Generative Drafting** application to create an engineering drawing from the solid model.

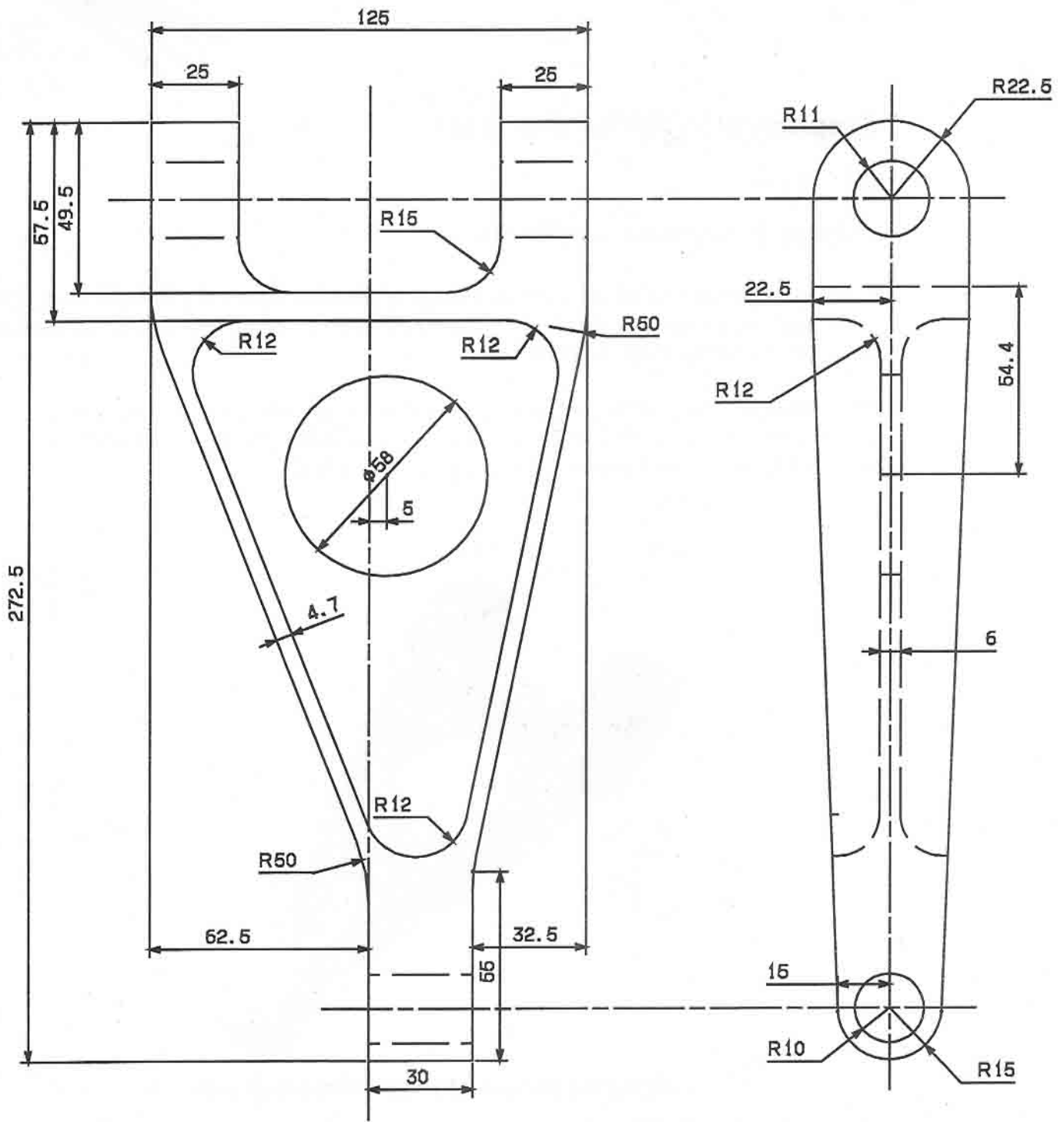
The component used in the exercise is a simplified version of the torque arm from an aircraft landing gear. A picture of the component is provided in figure 4.1 below, and details of the component are provided in figure 4.2 overleaf.



Figure 4.1 3D view of Torque arm component

Hint:

You may find it useful to use the Boolean “Intersect” operation to construct this part. You will need to create a new Part Body in your part in order to use a Boolean intersect



All dimensions in mm

Estimate any dimensions not shown

Figure 4.2 Details of Torque arm component