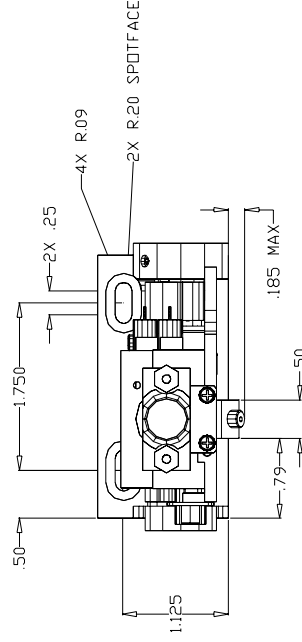
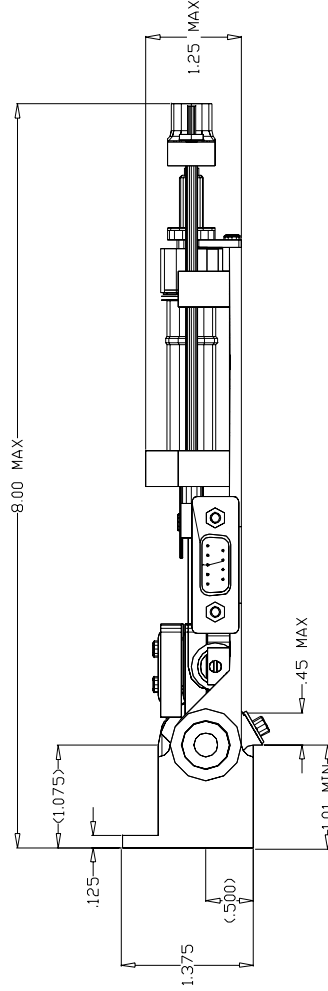
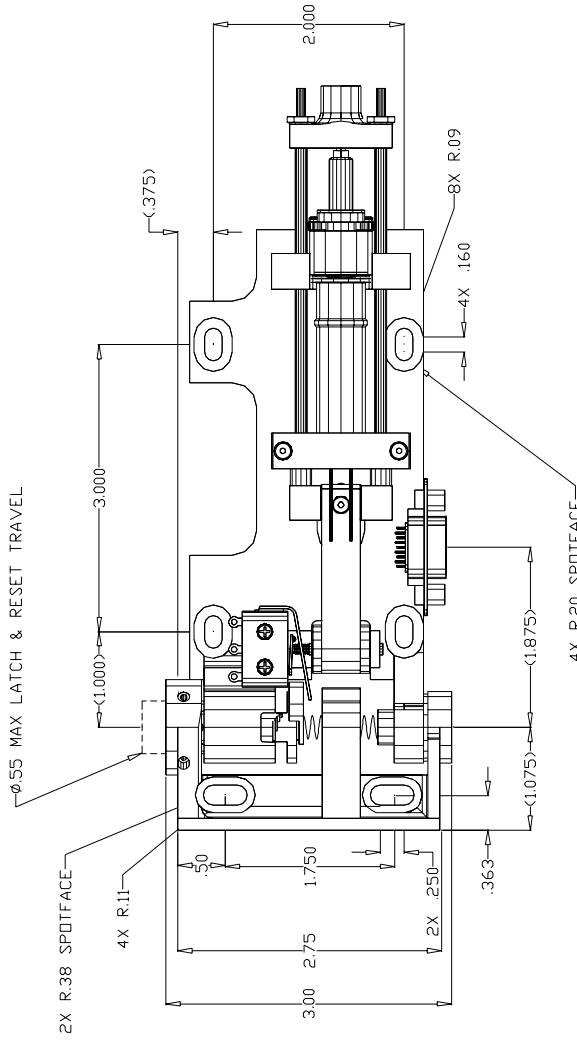
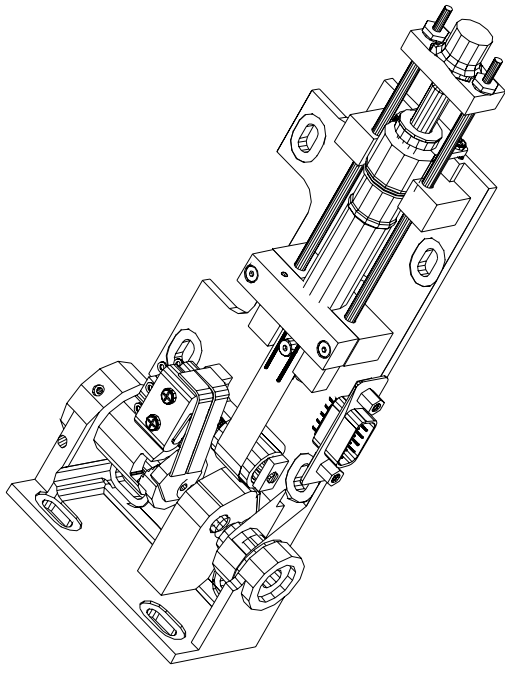


REV	DESCRIPTION	ECO #	DATE	APPROVED
	INITIAL RELEASE			



NOT CONTROLLED COPY:
contact Starsys for current revision.

APPROVED	DATE	UNLESS OTHERWISE SPECIFIED ALL DIMENSIONS ARE IN INCHES	STARSYS RESEARCH	680 MADRILLUS CT. N. WILMINGTON, DE 19801 (303) 539-1925 FAX (303) 539-2401
PREP BY STINEMA ENGINEERING	7/10/98	±.01 ±.005 ±.003 ±.002	CONTROL DRAWING	
MANUFACTURING		±.003 ±.002	APEX POWERED HINGE	
QUAL ASSURANCE		±.003 ±.002	MATERIAL N/A	REV
INTERPRET DRAWING PER ANST Y14.5M 1982		±.003 ±.002	SCALE N/A	1
		±.003 ±.002	DO NOT SCALE THIS DRAWING	OF 1